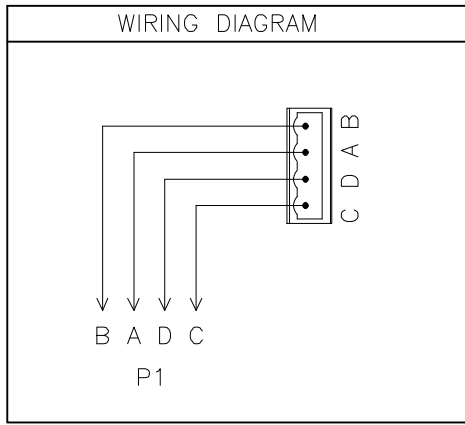
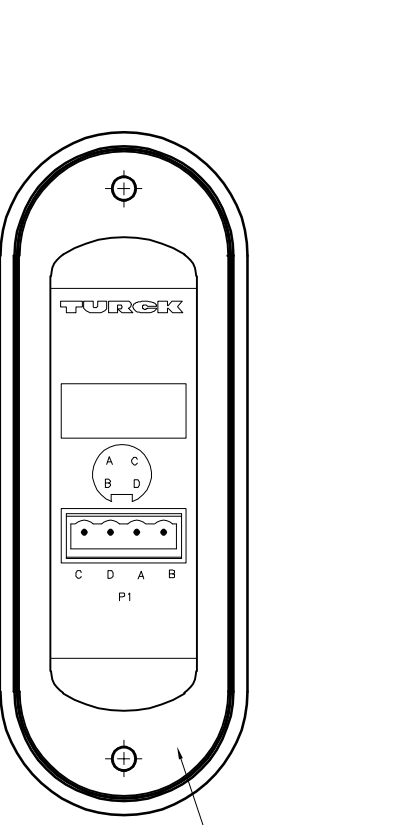
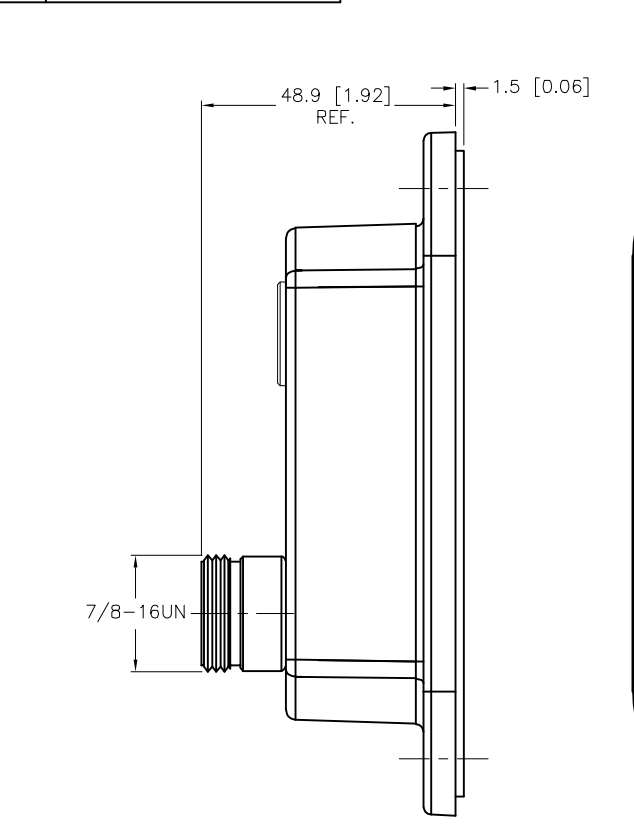
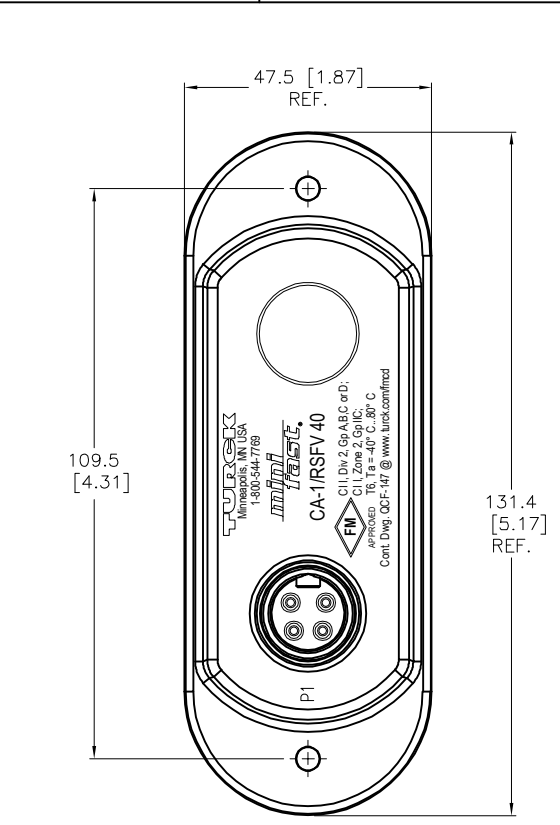
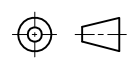


| SPECIFICATIONS | |
|------------------------------------|---|
| HOUSING MATERIAL/COLOR | NYLON 66 - 33% GLASS FILLED/BLACK |
| RECEPTACLE HOUSING MATERIAL/FINISH | STAINLESS STEEL/PASSIVATED |
| CONTACT CARRIERS/COLOR | TPU/BLACK |
| CONTACT MATERIAL/PLATING | BRASS/GOLD |
| OPERATING VOLTAGE | 250 V |
| OPERATING CURRENT | 9.0 A PER CONDUCTOR |
| PROTECTION CLASS to DIN 40050 | IP 67 - ONLY WHEN ALL RECEPTACLES ARE COVERED WITH PLUGS OR CONNECTED |
| OPERATING TEMPERATURE | -30°C to +80°C (-22°F to +176°F) |



SOURCE DRAWING - FOR REFERENCE ONLY

| | | | | | | | |
|---|---|---|--------------------------------------|--|--|---|---------------------|
| <p>RELATED DOCUMENTS</p> <ol style="list-style-type: none"> 1. 2. 3. 4. | <p>3RD ANGLE PROJECTION</p>  | <p>THIS DRAWING IS CONFIDENTIAL AND THE PROPERTY OF TURCK INC. USE OF THIS DOCUMENT WITHOUT WRITTEN PERMISSION IS PROHIBITED.</p> | | <p>3000 CAMPUS DRIVE MINNEAPOLIS, MN 55441 1-800-544-7769 (763) 553-7300 (763) 553-0708 fax www.turck.us</p> | | | |
| | | <p>MATERIAL</p> <p>SEE SPECIFICATIONS</p> | <p>DRFT RWC</p> <p>DATE 03/23/10</p> | <p>DESCRIPTION</p> <p>CA-1/RSFV 40</p> | | <p>IDENTIFICATION NO.</p> <p>U2-17097</p> | <p>REV</p> <p>F</p> |
| | | <p>FINISH</p> <p>SEE SPECIFICATIONS</p> | <p>APVD</p> <p>SCALE 1=1.5</p> | <p>UNIT OF MEASUREMENT</p> <p>MILLIMETER [INCH]</p> | | | |
| | | <p>ALL DIMENSIONS DISPLAYED ON THIS DRAWING ARE FOR REFERENCE ONLY</p> | | <p>CONTACT TURCK FOR MORE INFORMATION</p> | | <p>DO NOT SCALE THIS DRAWING</p> | |

| | | | | |
|-----|---------------|----|----------|---------|
| F | UPDATE CLICHE | NF | 10/21/25 | 81452 |
| REV | DESCRIPTION | BY | DATE | ECO NO. |